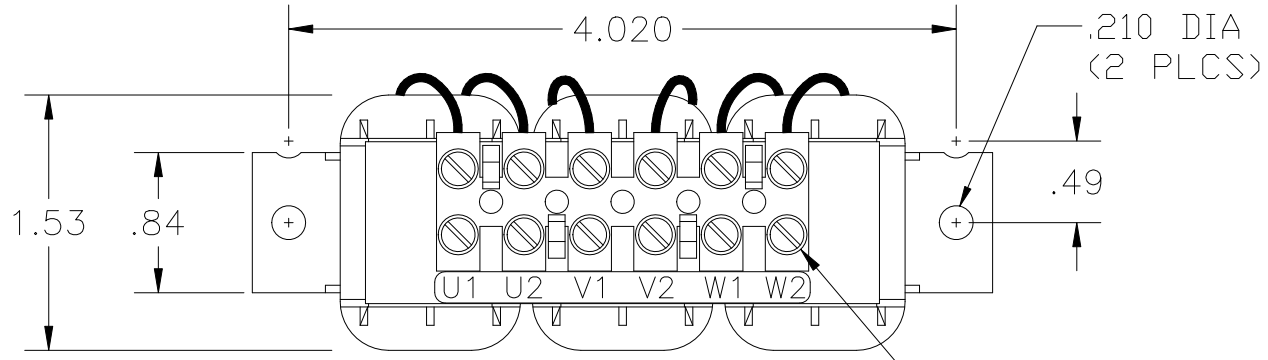


FILE: P:\DEPTS\ENGR\PROD DOCS\RLW\RLW-01P101

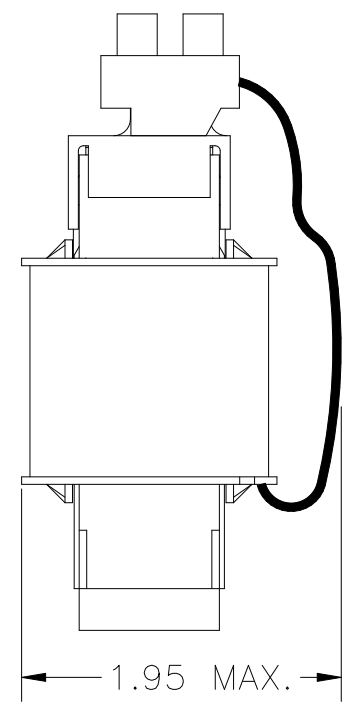
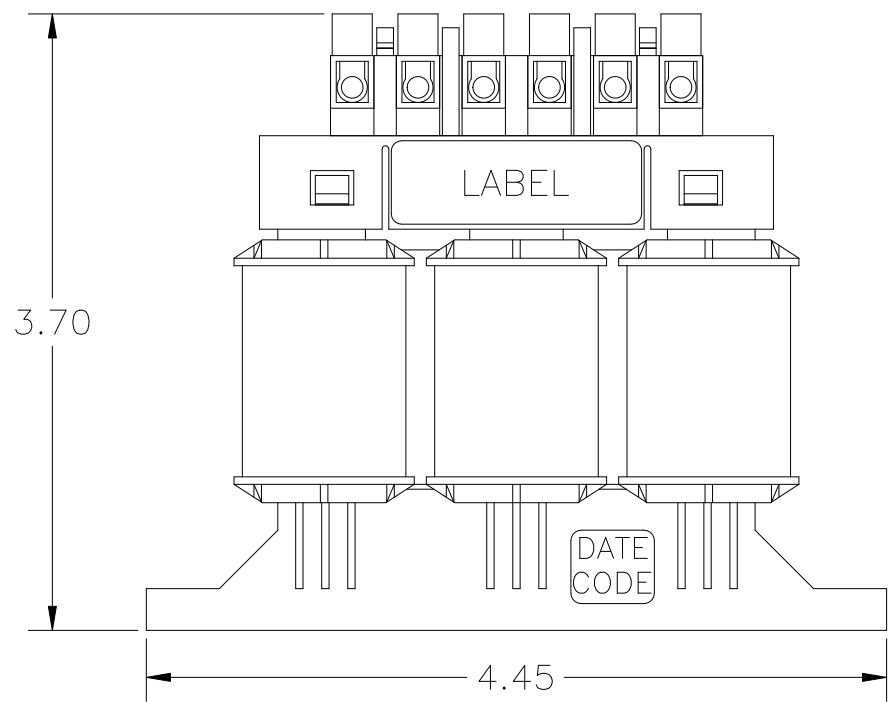
| | | |
|------------|--------------|--------------|
| INDUCTANCE | WEIGHT (LBS) | LOSS (WATTS) |
| 10mH | 1.5 | 4.8 |

| | | | | |
|-----|--------------------|----|------|-------|
| NO. | CHANGE DESCRIPTION | BY | DATE | C'K'D |
|-----|--------------------|----|------|-------|



WIRE RANGE: 22-10AWG

CAUTION-TERMINAL SCREW TIGHTENING TORQUE: 4.5 in-lb MAX.



UNLESS OTHERWISE SPECIFIED, DIMENSIONS ARE IN INCHES [mm] AND TOLERANCES ARE:

| | |
|--------|---------------|
| DECI. | FRAC. |
| ANGLES | DRILLED HOLES |

| | |
|--------------|--------------------|
| PART NAME: | 3 PHASE REACTOR |
| DESCRIPTION: | OUTLINE DIMENSIONS |
| FINISH: | |

| | | | |
|---|--------|------|------------|
| MTE CORPORATION MENOMONEE FALLS, WISCONSIN | | | |
| CD RLW-01P101 | | | REV. 02 |
| SCALE | NTS | DATE | 01/20/09 |
| C'K'D | | | |
| REF. | DR. BY | PDH | APP'D |